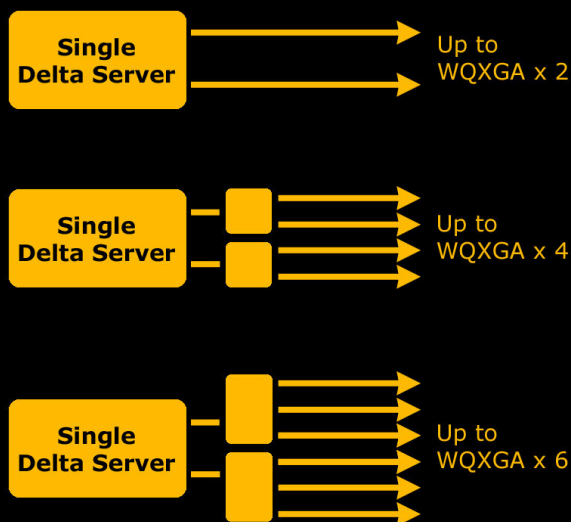


Creating a compelling visitor attraction is important in order to maximise the visitor's experience and enjoyment of the show. Our experience suggests that maximum image quality is important since people easily see visual artefacts caused by compression, misalignment or non-smooth playback, leading to a decline in viewer involvement.

Our media servers are designed to provide constant rate, high quality movie playback with low or no compression (up to 4:4:4 RGB playback) all day every day. The advanced display matching abilities such as realtime distortion correction and blending ensure the best quality image onscreen for any screen type including flat panel arrays, curved screen multi channel projection, full domes and even non standard screen shapes.

Multiple Outputs

All Delta servers have multiple graphics outputs, some typical configurations:



Delta can be easily extended via ethernet into a single coherent server system with frame accurate multiple outputs

Delta Features

Standard Delta includes:

- Uncompressed Movie Playback
- HD, 4k and Beyond media resolution
- Mixed Media (Movies, Images, Audio, Effects)
- Realtime Warp & Blend
- Multiple layers with effects
- Overlap and Underlap creation
- Multiple graphics outputs per server
- Multi-rack synchronisation
- Full External Control / API

Options include:

- Active and Passive stereo 3D output
 - Polarised, Shutter Glasses, ColorCode, Anaglyph

- Live Video inputs
 - sVideo, VGA, DVI, HDMI, HDSDI

- High Bit Depth
 - Dual Input for JVC, DPI, Christie, Barco

- Full Dome Delta Mode
 - 3D media and virtual projector placement

- Encrypted Movies
 - Time & venue limited movie playback